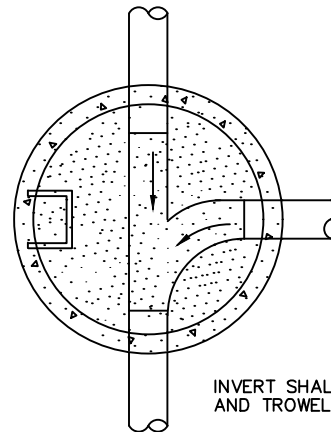


NOTES:

1. MANHOLES SHALL MEET OR EXCEED ASTM-C478
2. MINIMUM WALL THICKNESS SHALL BE 5"
3. ALL MANHOLE SECTIONS SHALL HAVE LIFTING HOLES PROVIDED
4. MANHOLE SECTION SHALL BE TONGUE AND GROOVED
5. STEPS SHALL BE CAST IN PLACE WITH A MAX. 16' O.C.
6. MASTIC OR 'D' RING WILL BE ACCEPTABLE
7. INLET AND OUTLET PIPES MUST BE AT PROPER ELEVATION WITH OPENING CAST IN MANHOLE BY MANUFACTURER
8. MANHOLES MAY BE CONSTRUCTED CONCENTRIC IF TOTAL HEIGHT IS 5' OR LESS
9. DISTANCE FROM BOTTOM OF TROUGH TO SHELF EDGE TO BE 70% DIAMETER OF OUTLET PIPE
10. 10% SLOPE ON SHELF - ALL DIRECTION
11. MIN. 15" WIDTH OF SHELF (BENCH)
12. DROP MANHOLE REQ'D. IF DIFFERENCE IN INCOMING SEWER ELEVATION AND MANHOLE INVERT IS EQUAL TO OR EXCEEDS 18"
13. ADJUST ELEVATION OF FRAME AS REQUIRED USING CONCRETE GRADE RINGS
14. INVERT OF INLET PIPE MUST BE ABOVE THE SPRING LINE ELEVATION OF THE EXISTING PIPE
15. MANHOLE SHALL BE COATED WITH APPROVED EPOXY PROTECTIVE COATING
16. TOP OF EXISTING PIPE SHALL NOT BE CUT OUT UNTIL PTD RECEIVED AND BCWS PERSONNEL PRESENT. OPENING CUT OUT MUST ACCOMMODATE MAIN LINE CAMERA.
17. ALL OPENINGS TO BE SEALED WITH NON SHRINK GROUT
18. ALL DOGHOUSE MANHOLES REQUIRE COMPOSITE FRAME AND COVERS BEFORE COATING.
19. CONTACT BCWS 72 HOURS PRIOR FOR AN INSPECTION DURING MANHOLE INSTALLATION



"DOGHOUSE TYPE" MANHOLE

NOT TO SCALE

SEWER PANEL 2G

**BERKELEY COUNTY WATER AND SANITATION
POTABLE WATER & SANITARY SEWER STANDARDS**

REVISED 04/25/23