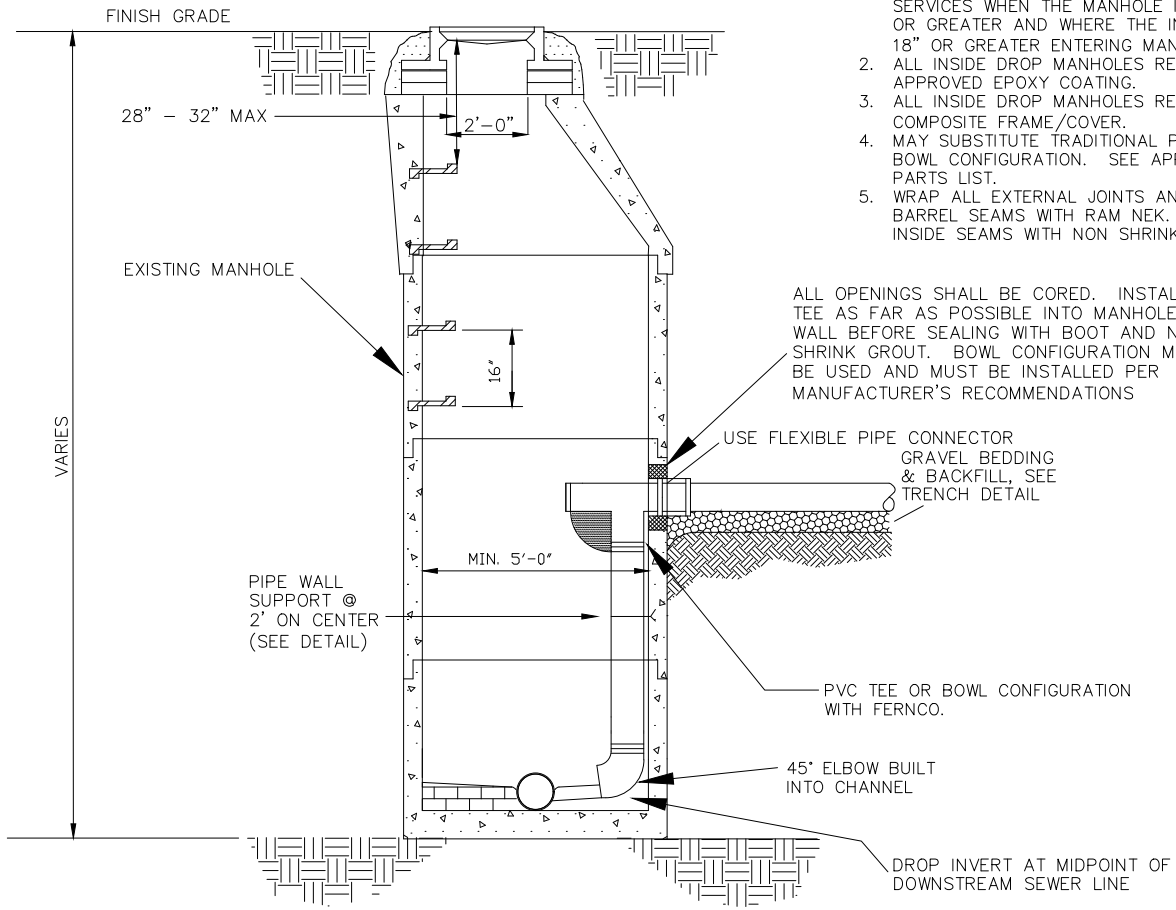


NOTES

1. INSIDE DROP MAY BE USED FOR SEWER SERVICES WHEN THE MANHOLE IS 10' DEEP OR GREATER AND WHERE THE INVERT IS 18" OR GREATER ENTERING MANHOLE.
2. ALL INSIDE DROP MANHOLES REQUIRE APPROVED EPOXY COATING.
3. ALL INSIDE DROP MANHOLES REQUIRE COMPOSITE FRAME/COVER.
4. MAY SUBSTITUTE TRADITIONAL PVC TEE FOR BOWL CONFIGURATION. SEE APPROVED PARTS LIST.
5. WRAP ALL EXTERNAL JOINTS AND SEAL ALL BARREL SEAMS WITH RAM NEK. SEAM INSIDE SEAMS WITH NON SHRINK GROUT.



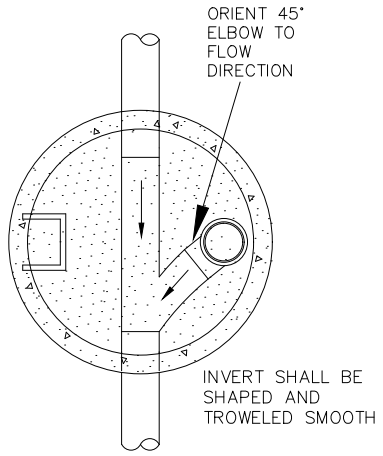
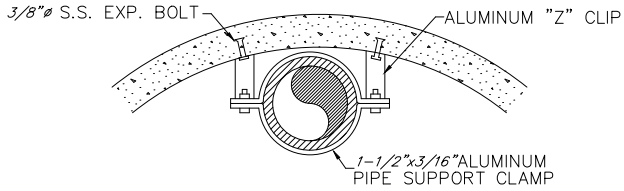
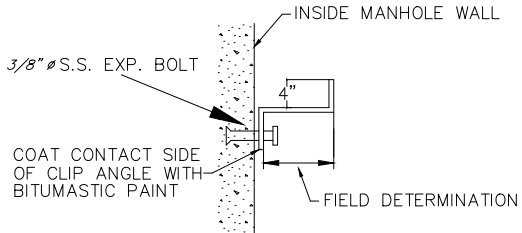
ALL OPENINGS SHALL BE CORED. INSTALL TEE AS FAR AS POSSIBLE INTO MANHOLE WALL BEFORE SEALING WITH BOOT AND NON SHRINK GROUT. BOWL CONFIGURATION MAY BE USED AND MUST BE INSTALLED PER MANUFACTURER'S RECOMMENDATIONS

USE FLEXIBLE PIPE CONNECTOR
GRAVEL BEDDING & BACKFILL, SEE TRENCH DETAIL

PVC TEE OR BOWL CONFIGURATION WITH FERNCO.

45° ELBOW BUILT INTO CHANNEL

DROP INVERT AT MIDPOINT OF DOWNSTREAM SEWER LINE



INSIDE DROP MANHOLE
(TO BE USED FOR DROPS OVER 18")
NOT TO SCALE

SEWER PANEL 2F