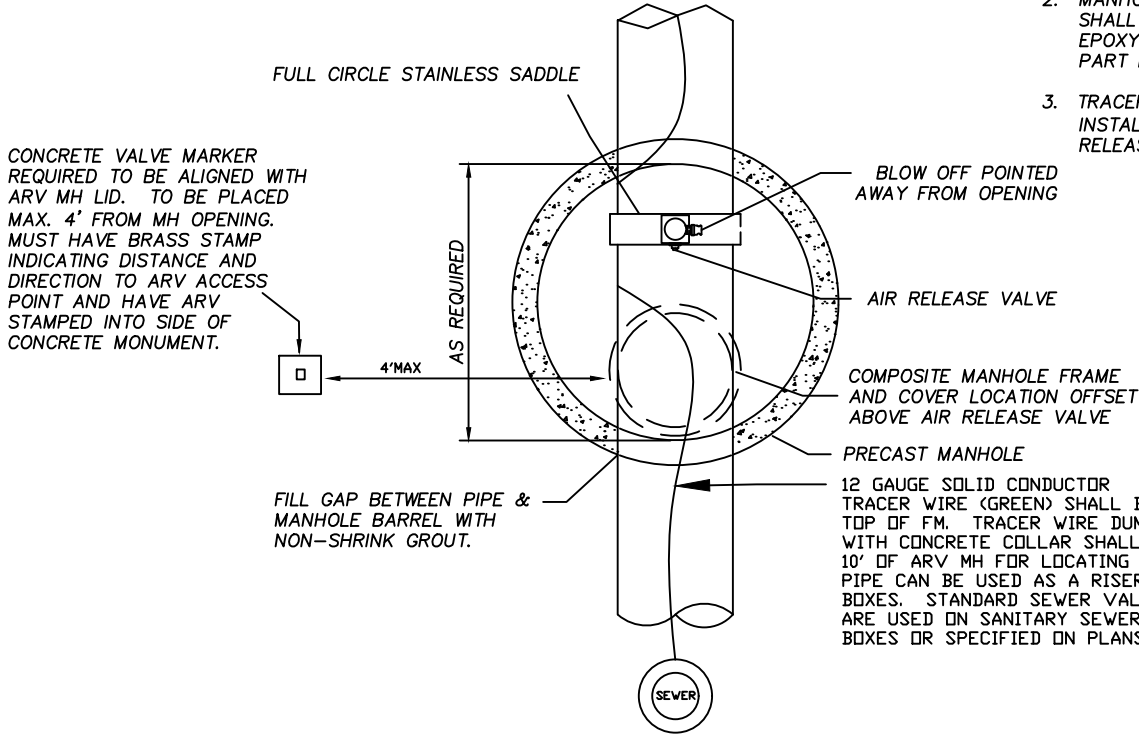
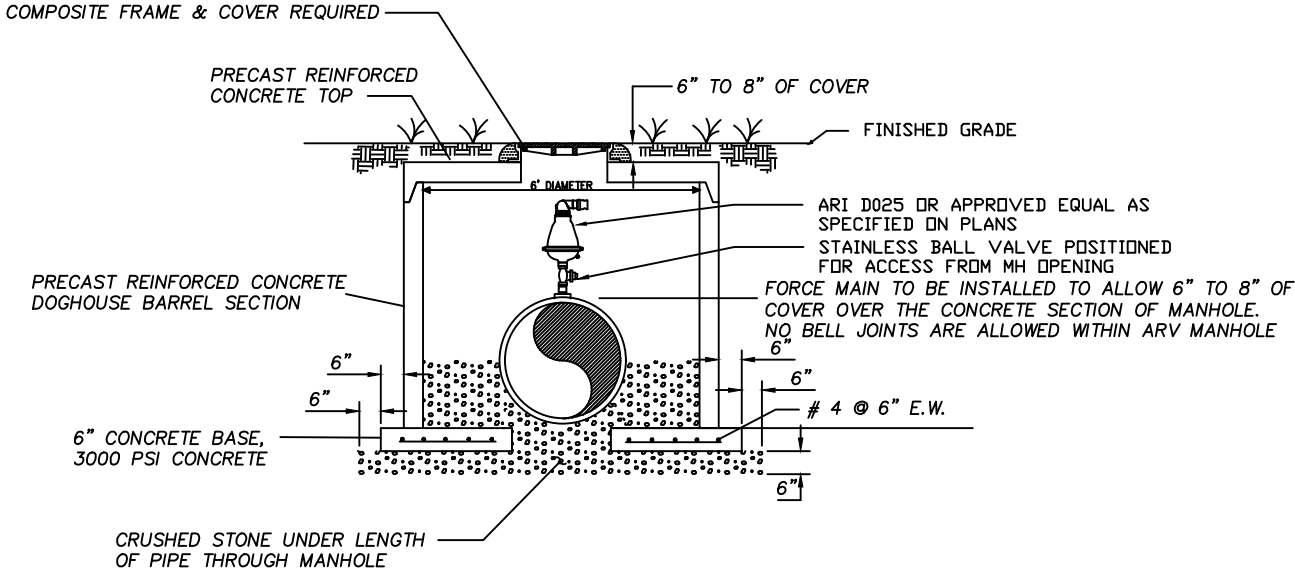


**NOTES:**

1. ALL HARDWARE SHALL BE 304 OR 316 STAINLESS STEEL UNLESS OTHERWISE NOTED.
2. MANHOLE INTERIOR AND PIPES SHALL BE LINED WITH APPROVED EPOXY LINER. SEE APPROVED PART LIST.
3. TRACER WIRE BOX TO BE INSTALLED WITHIN 10' OF AIR RELEASE VALVE.



PLAN VIEW



SECTION VIEW

SEWER AIR RELEASE VALVE AND MANHOLE

NTS

**SEWER PANEL 5A**

**BERKELEY COUNTY WATER AND SANITATION  
POTABLE WATER & SANITARY SEWER STANDARDS**

REVISED 04/25/2023