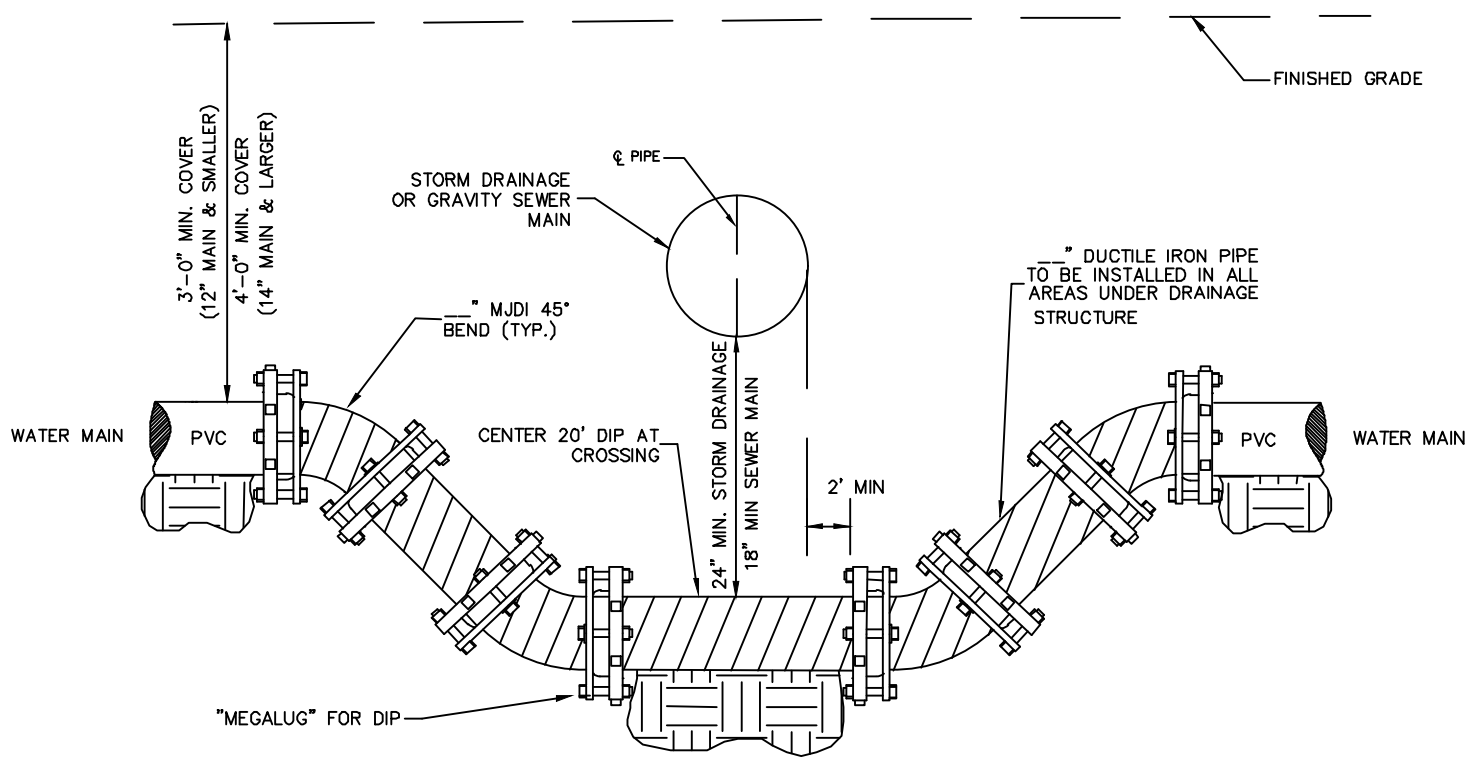


**TYPICAL WATER MAIN DEFLECTION ABOVE**

NOT TO SCALE



**TYPICAL WATER MAIN DEFLECTION BELOW**

NOT TO SCALE