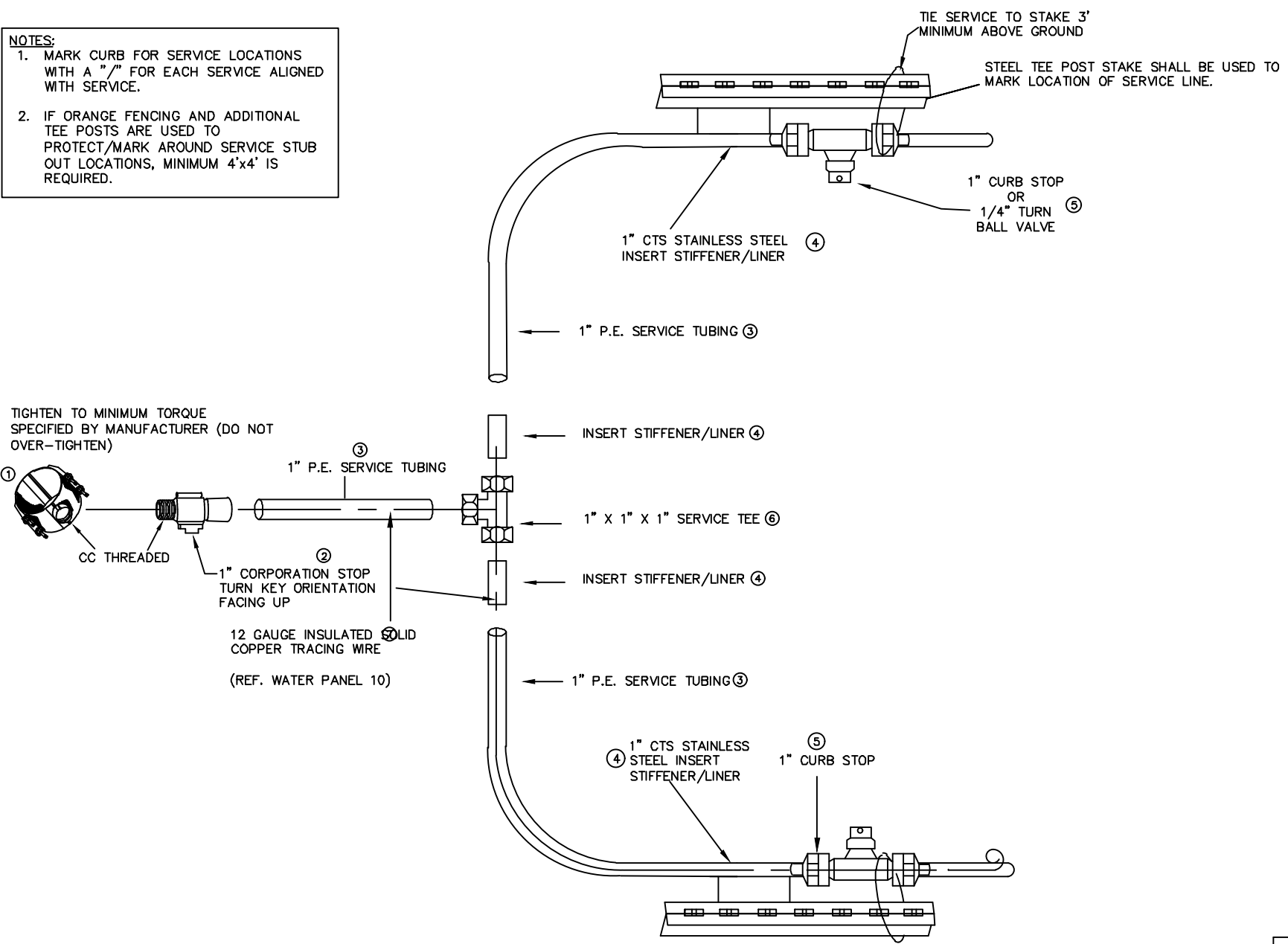


NOTES:
 1. MARK CURB FOR SERVICE LOCATIONS WITH A "X" FOR EACH SERVICE ALIGNED WITH SERVICE.
 2. IF ORANGE FENCING AND ADDITIONAL TEE POSTS ARE USED TO PROTECT/MARK AROUND SERVICE STUB OUT LOCATIONS, MINIMUM 4'x4' IS REQUIRED.



TIGHTEN TO MINIMUM TORQUE SPECIFIED BY MANUFACTURER (DO NOT OVER-TIGHTEN)

1" CORPORATION STOP TURN KEY ORIENTATION FACING UP

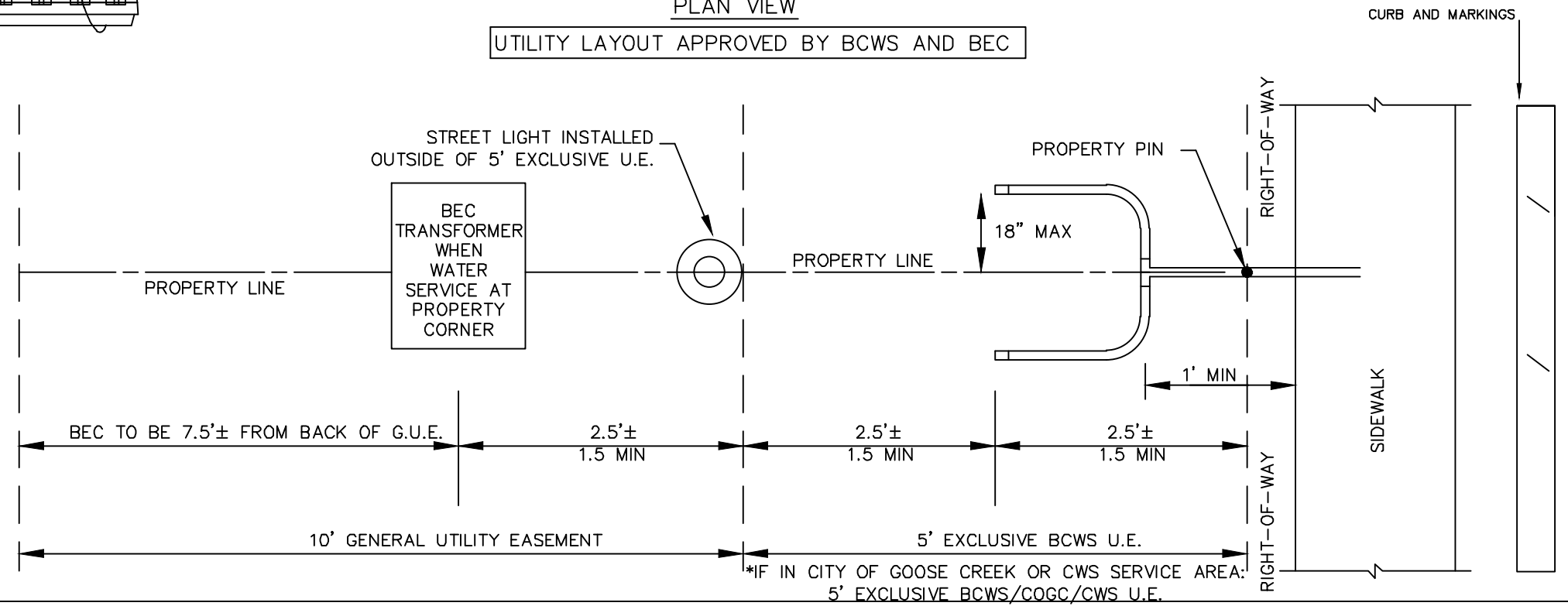
12 GAUGE INSULATED SOLID COPPER TRACING WIRE (REF. WATER PANEL 10)

SERVICE CONNECTIONS WITHOUT METER

- 1 Service Saddle**
See Appendix F29 BCWS Approved Parts List.
- 2 Corporation Stop**
Minimum size - 1". See Appendix F29 BCWS Approved Parts List.
- 3 Polyethylene Water Service Tubing**
Service Tubing shall be 1" copper tubing size (CTS) OD polyethylene suitable for underground water services, in conformance with ASTM D2737 (PE 3406), with a rated working pressure of 160 psi. For dual service installation use 1" CTS tubing between service tee and meter box. Service tubing shall be blue in color.
- 4 Insert Stiffener/Liner**
See Appendix F29 BCWS Approved Parts List.
- 5 Curb Stop**
Minimum size - 1". Note: since meter boxes have internal curb stop, curb stops are to be used only to terminate services to vacant lots. See Appendix F29 BCWS Approved Parts List.
- 6 Dual Service Installation**
To split 1" CTS polyethylene plastic tubing (PET) to serve two customers, use 1"x 1"x 1" grip joint tee for CTS PET. Install 3' of 1" CTS PET on both sides of the grip joint tee to allow for BCWS meter box installation.
- 7 Tracer Wire**
Install tracer wire for both single and double services. Coil and secure the end to the stake.
- 8 BEC Transformer**
Install water services outside the width of the BEC Transformer when installed at common property corners.

PLAN VIEW

UTILITY LAYOUT APPROVED BY BCWS AND BEC



SERVICE CONNECTION WITHOUT METER
 NOT TO SCALE

WATER PANEL 1B

BERKELEY COUNTY WATER AND SANITATION
 POTABLE WATER & SANITARY SEWER STANDARDS
 REVISED JULY/2025