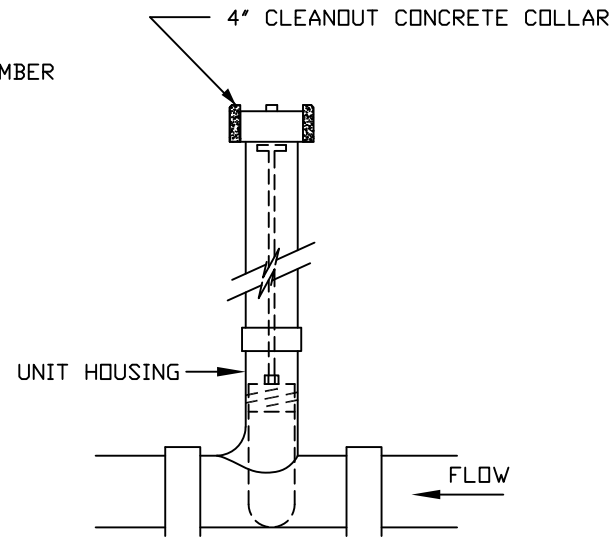
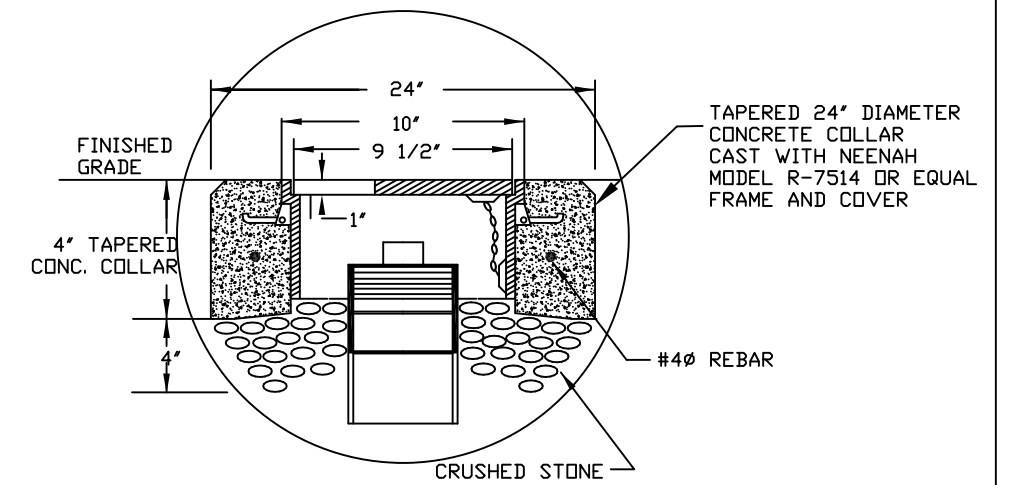


**PLAN**

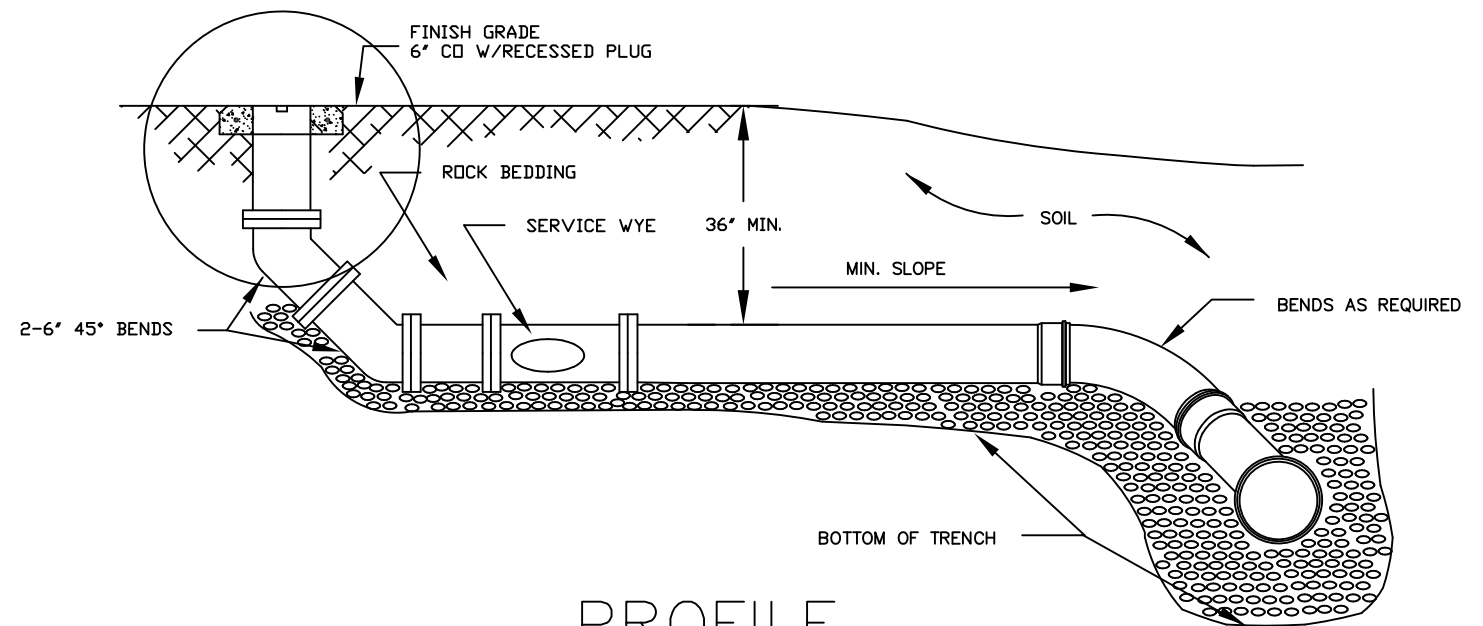
NOT TO SCALE



**ELDER VALVE**



**CLEANOUT**



**PROFILE**

NOT TO SCALE

**SANITARY SEWER  
SERVICE CONNECTION  
WITH ELDER VALVE  
SEWER PANEL 1B**

(USE ONLY FOR SEWER SERVICE THAT BCWS  
DOES NOT PROVIDE THE WATER SERVICE)

BERKELEY COUNTY WATER AND SANITATION  
POTABLE WATER & SANITARY SEWER STANDARDS

REVIEWED 05/12/20