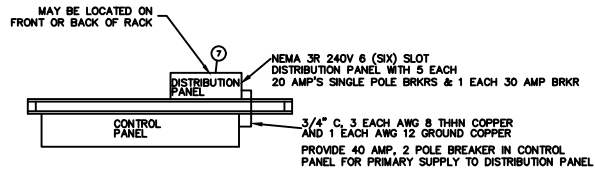


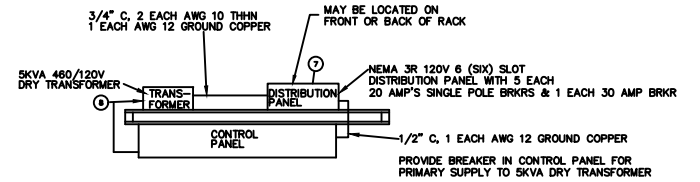
240 VOLT STATION



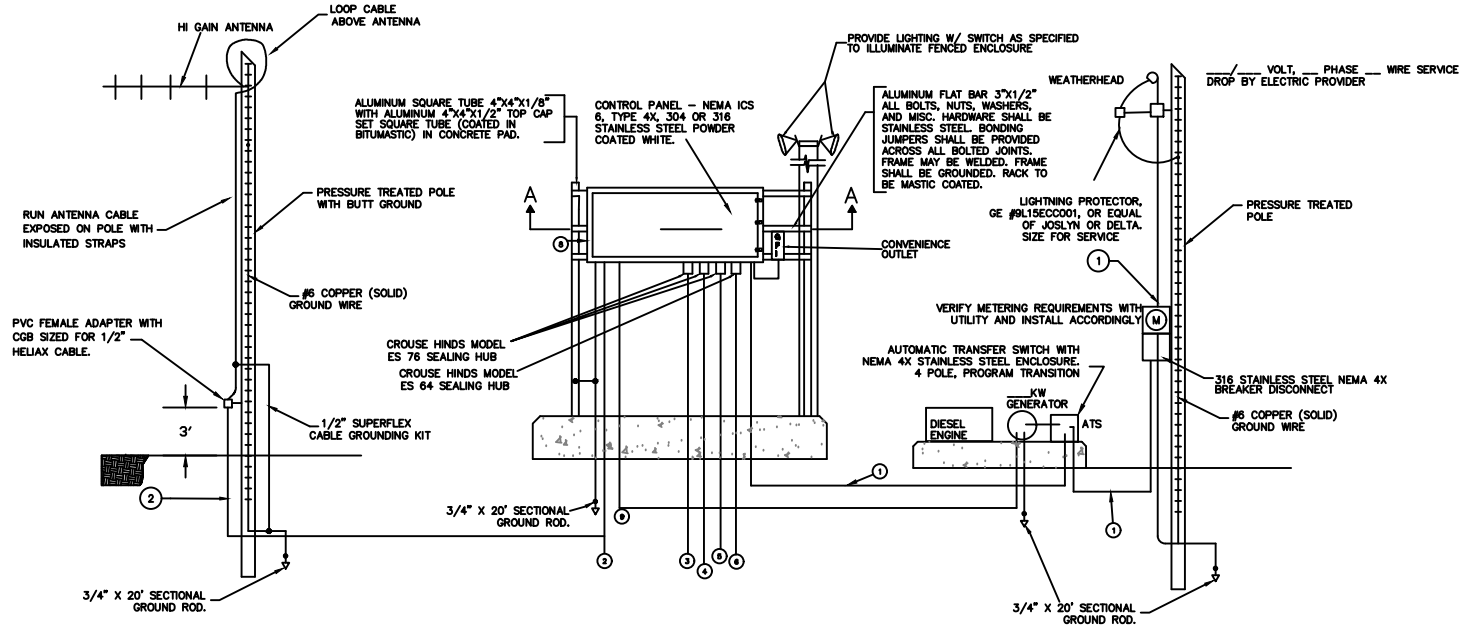
SECTION A-A
N.T.S.

- ① CONDUIT, SERVICE, _____ AMP SERVICE, W/ NEUTRAL SIZED PER NEC FOR PROVIDED SERVED. ALL CONDUCTORS SHALL BE THIN COPPER.
- ② TO ANTENNA. USE 1/2" SUPERFLEX CABLE AND CONNECTORS.
- ③ 2" E.C. (SPARE)
- ④ 2" C. (PUMP 1 CABLES)
- ⑤ 2" C. (PUMP 2 CABLES)
- ⑥ 1-1/4" C (MULTI-TRODE CABLE)
- ⑦ 1/2" C, 3 EACH AWG 12 THHN + 1 EACH AWG12 GROUND TO ENGINE BLOCK HTS, BATTERY CHARGER, SITE LIGHTING, AND CONVENIENCE OUTLET.
- ⑧ STAINLESS STEEL PRIMARY TRANSFORMER SUPPLY 2 AWG 12 + 1 AWG 12 GND
- ⑨ 1/2" C & 6 EACH AWG 14 MTW 90°

460 VOLT STATION



SECTION A-A
N.T.S.



ELEVATION VIEW
N.T.S.

**TYPICAL DUPLEX PUMP STATION
ELECTRICAL POWER RISER DIAGRAM**

NOT TO SCALE

SEWER PANEL 3C

BERKELEY COUNTY WATER AND SANITATION
POTABLE WATER & SANITARY SEWER STANDARDS
REVISED 04/25/23