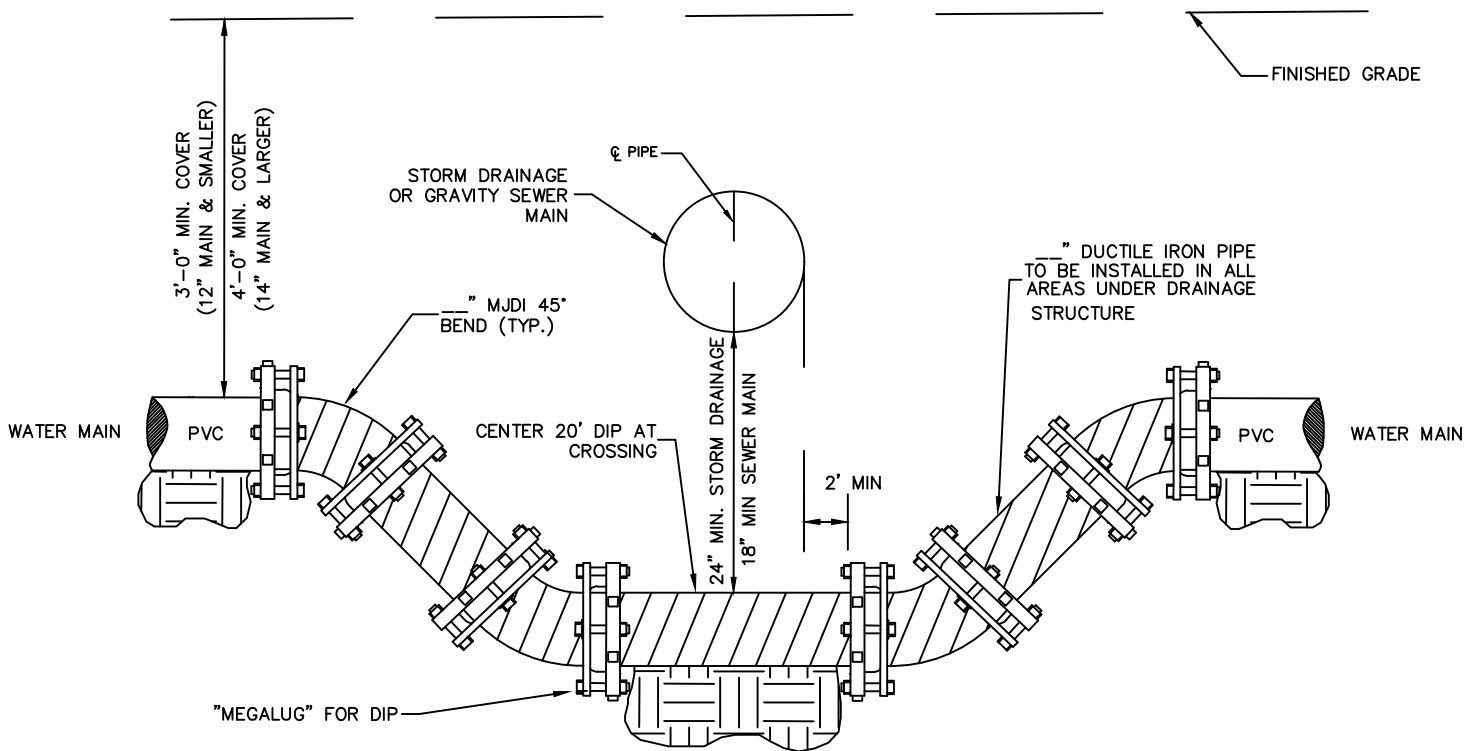


TYPICAL WATER MAIN DEFLECTION ABOVE

NOT TO SCALE



TYPICAL WATER MAIN DEFLECTION BELOW

NOT TO SCALE